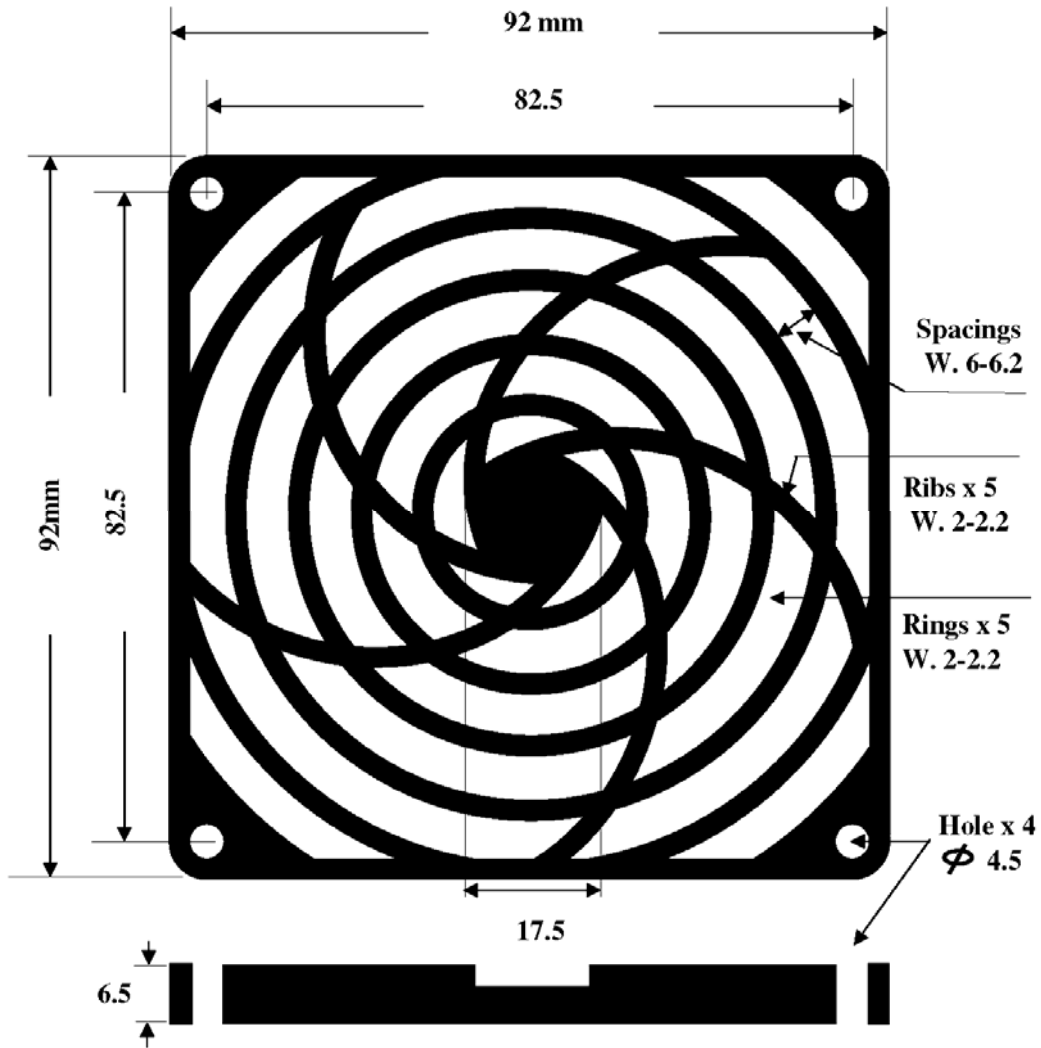


Revision			
Rev.	Description	Date	Approved
A		2014/12/2	



Specifications

Hole to Hole	82.5	mm
Outer Ring Dia.	92	
Ring Width	2 ~ 2.2	
Ribs x 5 Width	2 ~ 2.2	
Hole Dia.	4.5	
Spacing Width	6 ~ 6.2	
Height	6.5	
Staging Rings	5	Rings

Material:

Reinforced ABS, UL94-V0

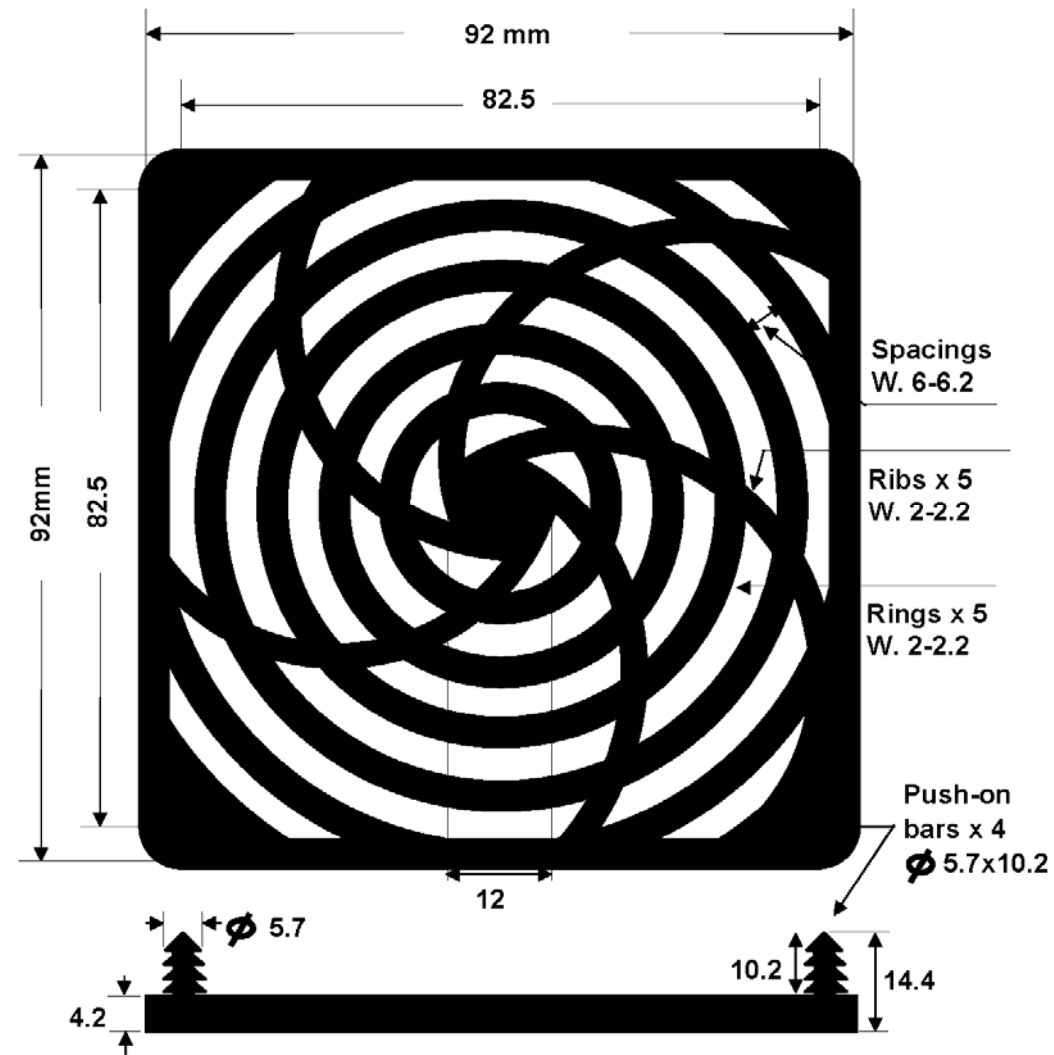
Color:

Standard Black
Other Colors are available but MOQ required

Electronic Associates (Taiwan) Ltd.

Part Number: EPG-92P

Description: Plastic Guard for 92 mm Fan.



Revision			
Rev.	Description	Date	Approved
A		2014/12/2	

Specifications

Hole to Hole	82.5	mm
Outer Ring Dia.	92	
Ring Width	2 ~ 2.2	
Ribs x 5 Width	2 ~ 2.2	
Hole Dia.	5.7	
Spacing Width	6 ~ 6.2	
Height	4.2	
Staging Rings	5	Rings

Material:

Reinforced Thermoplastic Nylon UL94HB

Color:

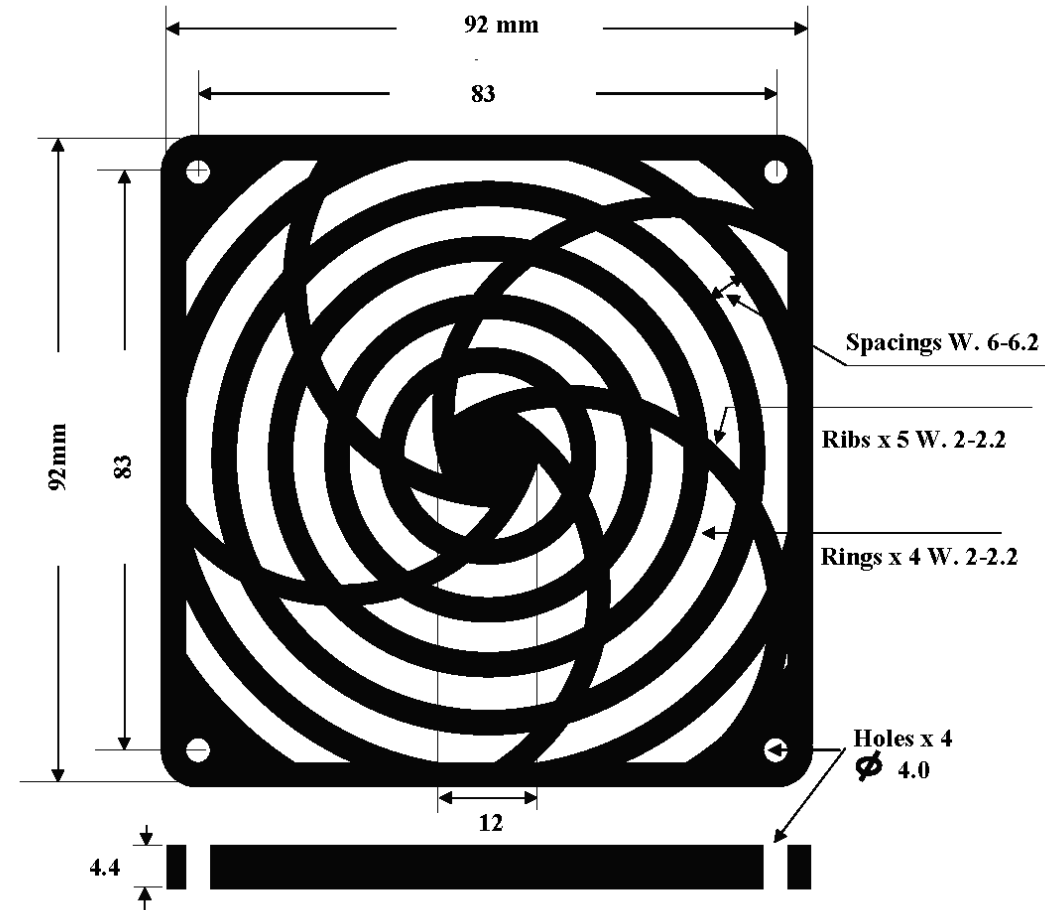
Standard Black

Other Colors are available but MOQ required

Electronic Associates (Taiwan) Ltd.

Part Number: EPG-92P2

Description: Plastic Guard for 92 mm Fan.



Revision			
Rev.	Description	Date	Approved
A		2014/12/2	

Specifications

Hole to Hole	83	mm
Outer Ring Dia.	92	
Ring Width	2 ~ 2.2	
Ribs x 5 Width	2 ~ 2.2	
Hole Dia.	4.0	
Spacing Width	6 ~ 6.2	
Height	4.4	
Staging Rings	5	Rings

Material:

Thermoplastic glass fiber reinforced
ABS, UL94-V0

Color:

Standard Black

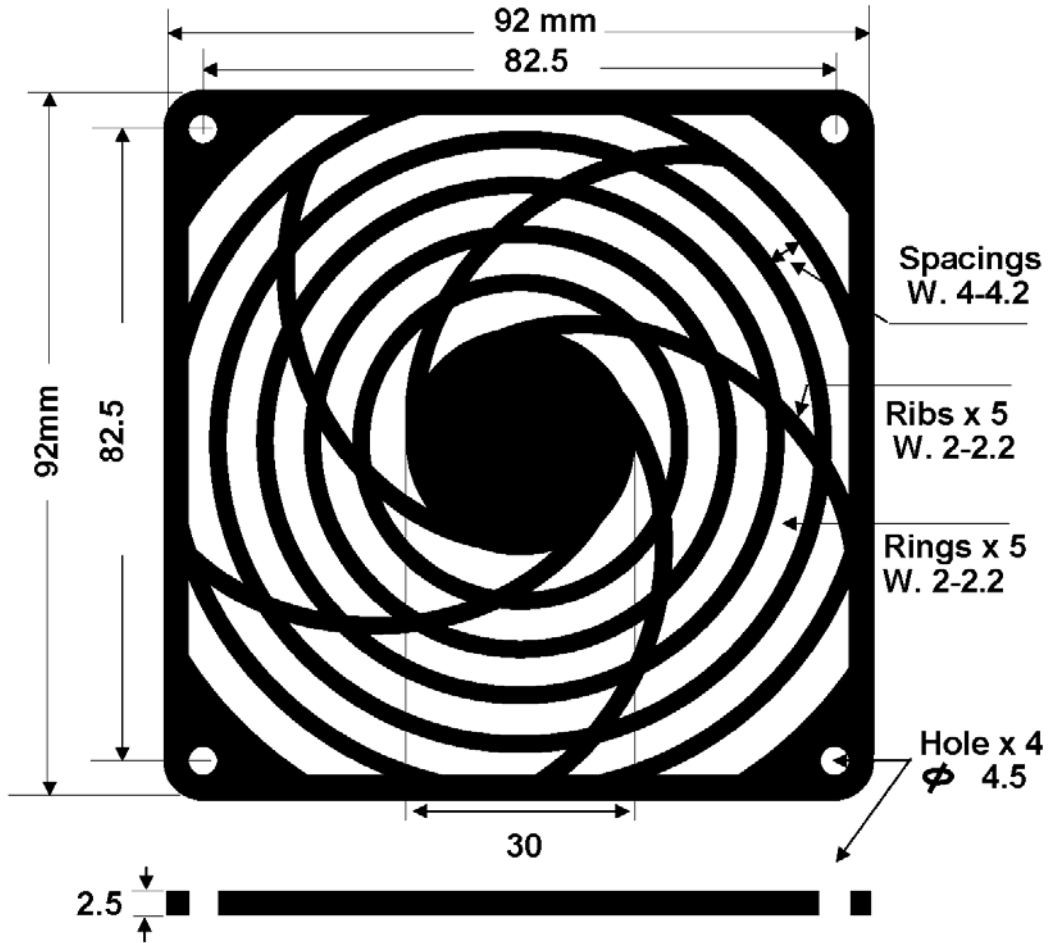
Other Colors are available but MOQ required

Electronic Associates (Taiwan) Ltd.

Part Number: EPG-92P4

Description: Plastic Guard for 92 mm Fan.

Revision			
Rev.	Description	Date	Approved
A		2014/12/2	



Specifications

Hole to Hole	82.5	mm
Outer Ring Dia.	92	
Ring Width	2 ~ 2.2	
Ribs x 5 Width	2 ~ 2.2	
Hole Dia.	4.5	
Spacing Width	4 ~ 4.2	
Height	2.5	
Staging Rings	5	Rings

Material:

Reinforced ABS, UL94-V0

Color:

Standard Black
Other Colors are available but MOQ required

Electronic Associates (Taiwan) Ltd.

Part Number: EPG-92P25F

Description: Plastic Guard for 92 mm Fan.