

Revision			
Rev.	Description	Date	Approved
A		2014/12/2	

Specifications

Hole to Hole	50	mm
Outer Ring Dia.	60	
Ring Width	2	
Ribs x 4 Width	2	
Hole Dia.	4.5	
Spacing Width	4.5	
Height	6.5	
Staging Rings	3	Rings

Material:

Reinforced ABS, UL94-V0

Color:

Standard Black

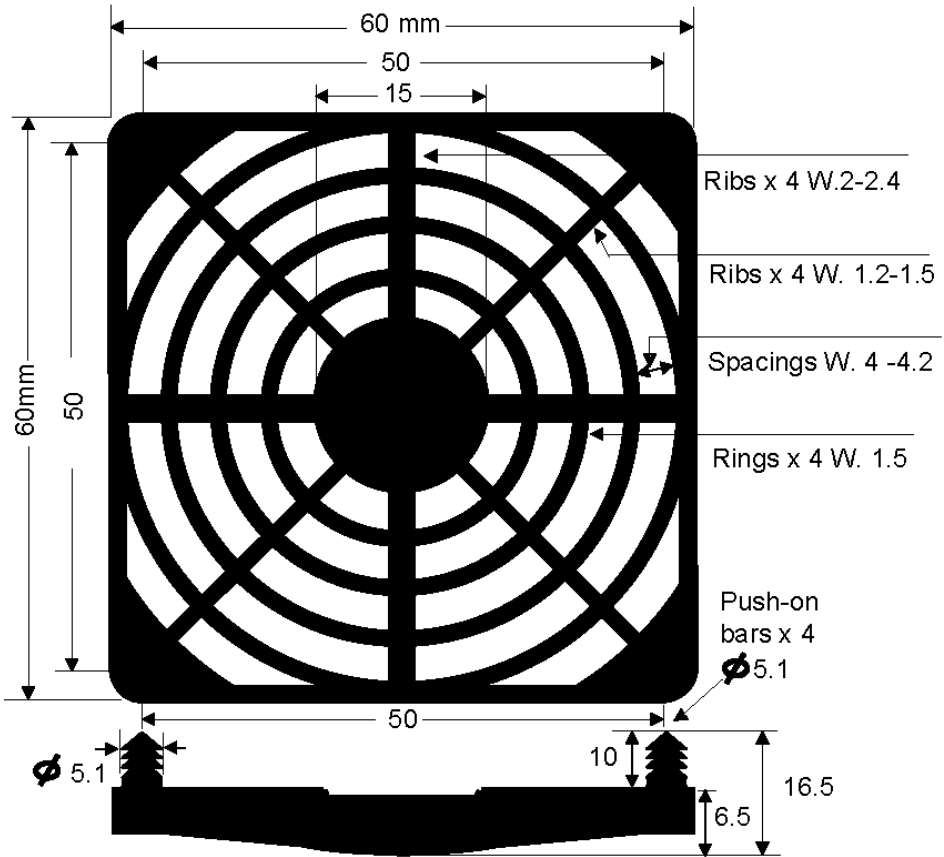
Other Colors are available but MOQ required

Electronic Associates (Taiwan) Ltd.

Part Number: EPG-60P

Description: Plastic Guard for 60 mm Fan.

Revision			
Rev.	Description	Date	Approved
A		2014/12/2	



Specifications

Hole to Hole	50	mm
Outer Ring Dia.	60	
Ribs x 4	2 ~ 2.4	
Ribs x 4	1.2 ~ 1.5	
Ribs x 4 Width	1.5	
Spacing Width	4 ~ 4.2	
Push-on Bars	5.1	
Height	6.5	
Staging Rings	4	Rings

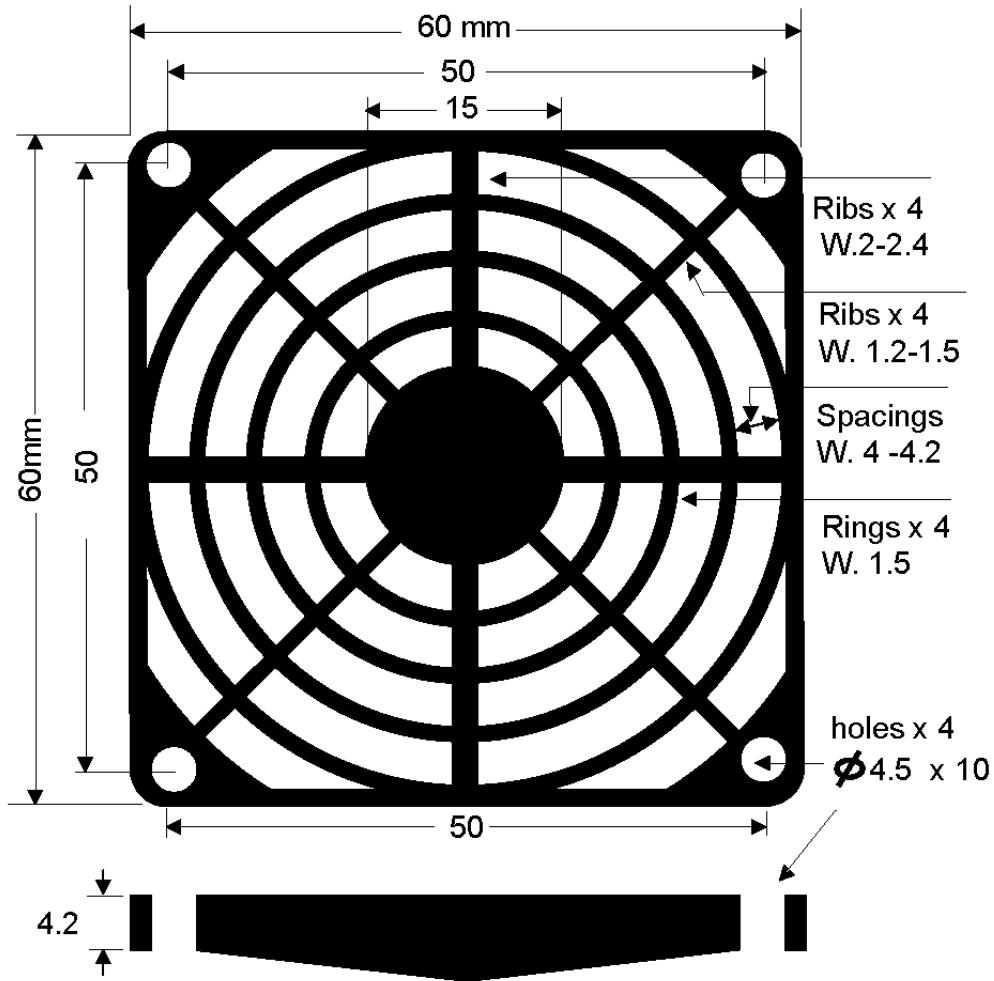
Material:

Reinforced Thermoplastic Nylon UL94HB

Color:

Standard Black
Other Colors are available but MOQ required

Electronic Associates (Taiwan) Ltd.
Part Number: EPG-60P2
Description: Plastic Guard for 60 mm Fan.



Revision			
Rev.	Description	Date	Approved
A		2014/12/2	

Specifications

Hole to Hole	50	mm
Outer Ring Dia.	60	
Ribs	2 ~ 2.4	
Ribs	1.2 ~ 1.5	
Rings width	1.5	
Spacing Width	4 ~ 4.2	
Holes dia.	4.5	
Height	4.2	
Staging Rings	4	Rings

Material:

Thermoplastic glass fiber reinforced
ABS, UL94-V0

Color:

Standard Black

Other Colors are available but MOQ required

Electronic Associates (Taiwan) Ltd.

Part Number: EPG-60P4

Description: Plastic Guard for 60 mm Fan.