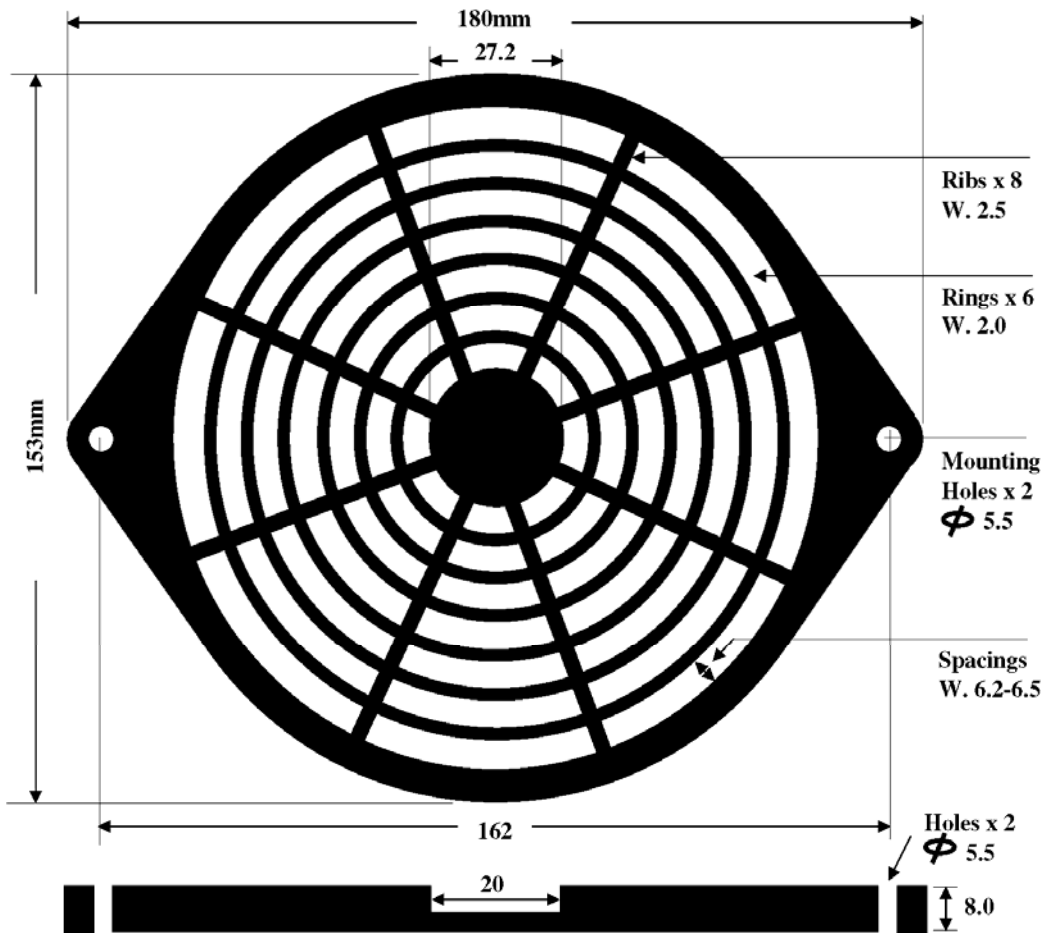


Revision			
Rev.	Description	Date	Approved
A		2014/12/2	



Specifications

Hole to Hole	162	mm
Outer Ring Dia.	180	
Ring Width	2	
Ribs x 8 Width	2.5	
Hole Dia.	5.5	
Spacing Width	6.2 ~ 6.5	
Height	8	
Staging Rings	6	Rings

Material:

Reinforced ABS, UL94-V0

Color:

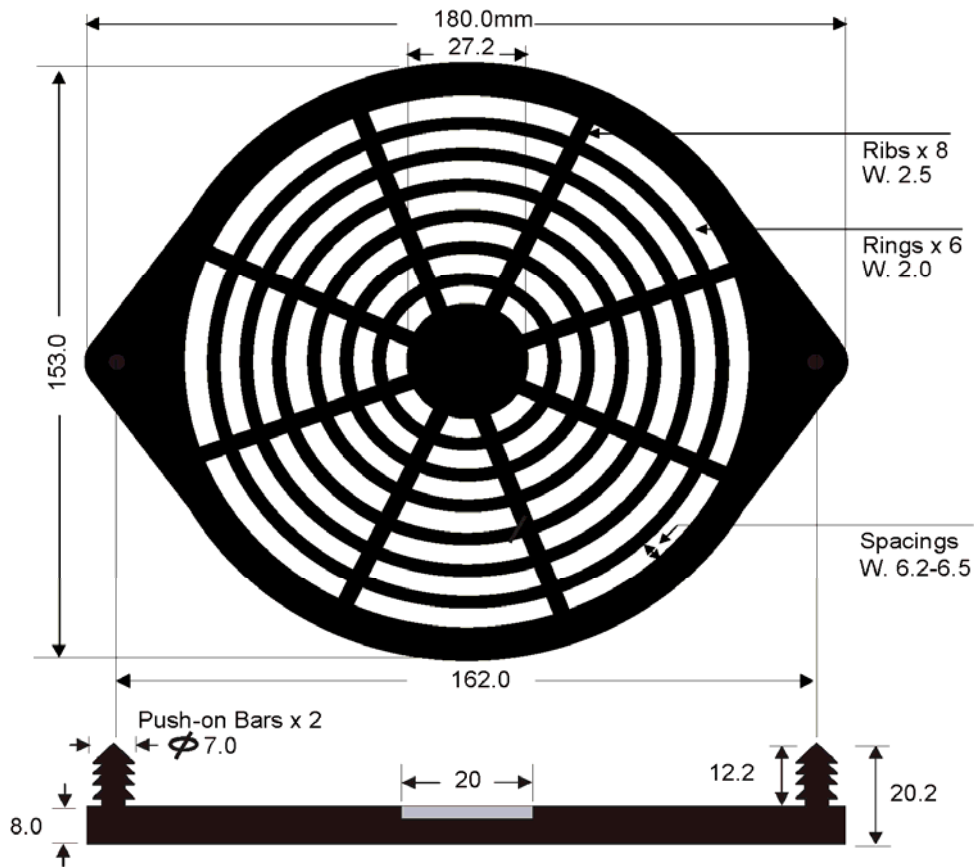
Standard Black
Other Colors are available but MOQ required

Electronic Associates (Taiwan) Ltd.

Part Number: EPG-172P

Description: Plastic Guard for 172 mm Fan.

Revision			
Rev.	Description	Date	Approved
A		2014/12/2	



Specifications

Hole to Hole	162	mm
Outer Ring Dia.	180	
Ring Width	2	
Ribs x 8 Width	2.5	
Hole Dia.	5.5	
Spacing Width	6.2 ~ 6.5	
Height	8	
Staging Rings	6	Rings

Material:

Reinforced ABS, UL94-V0

Color:

Standard Black
Other Colors are available but MOQ required

Electronic Associates (Taiwan) Ltd.

Part Number: EPG-172P2

Description: Plastic Guard for 172 mm Fan.