

Revision			
Rev.	Description	Date	Approved
A		2014/12/2	

Specifications

Hole to Hole	104.8	mm
Outer Ring Dia.	117.2	
Ring Width	2 ~ 2.2	
Ribs x 5 Width	2 ~ 2.2	
Hole Dia.	4.5	
Spacing Width	6 ~ 6.2	
Height	7.2	
Staging Rings	6	Rings

Material:

Reinforced ABS, UL94-V0

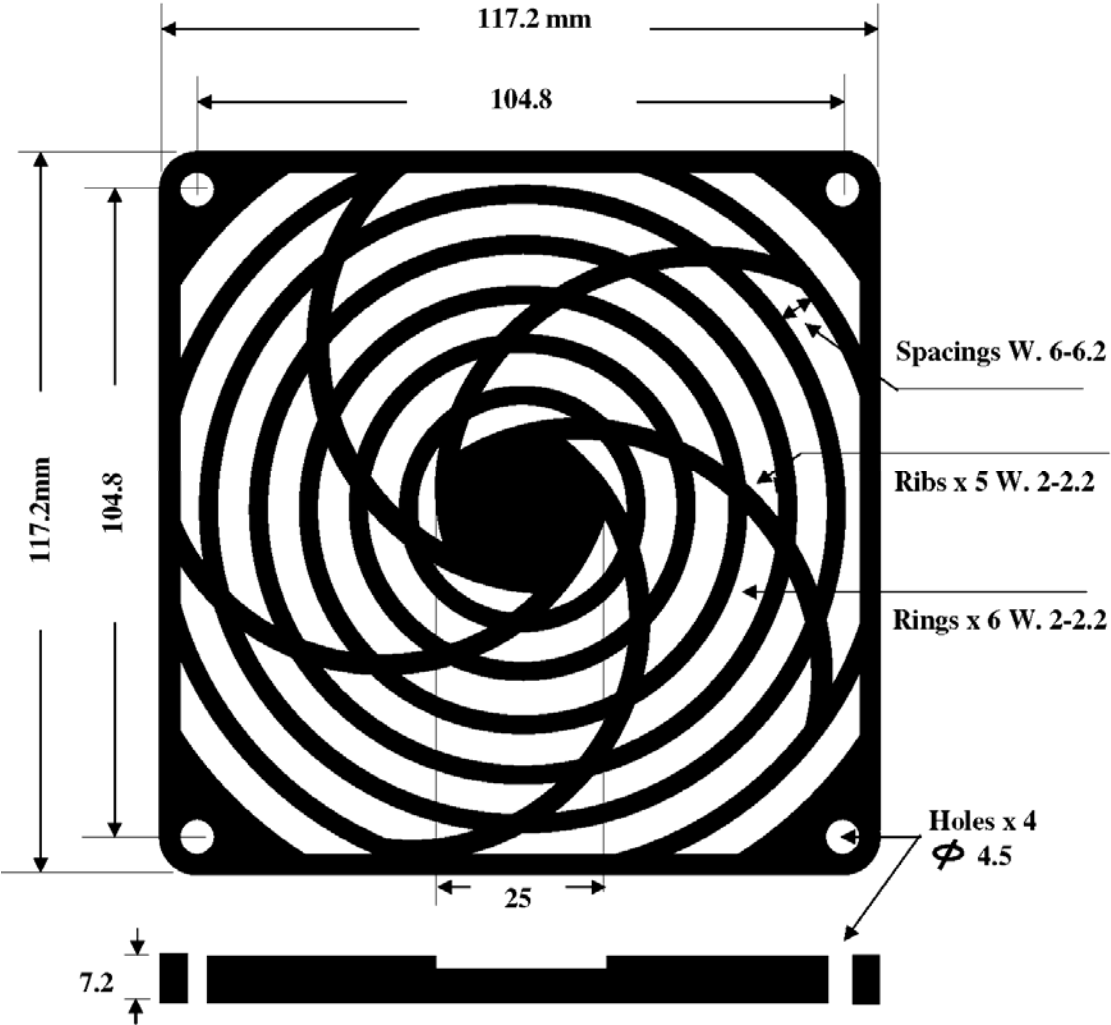
Color:

Standard Black
Other Colors are available but MOQ required

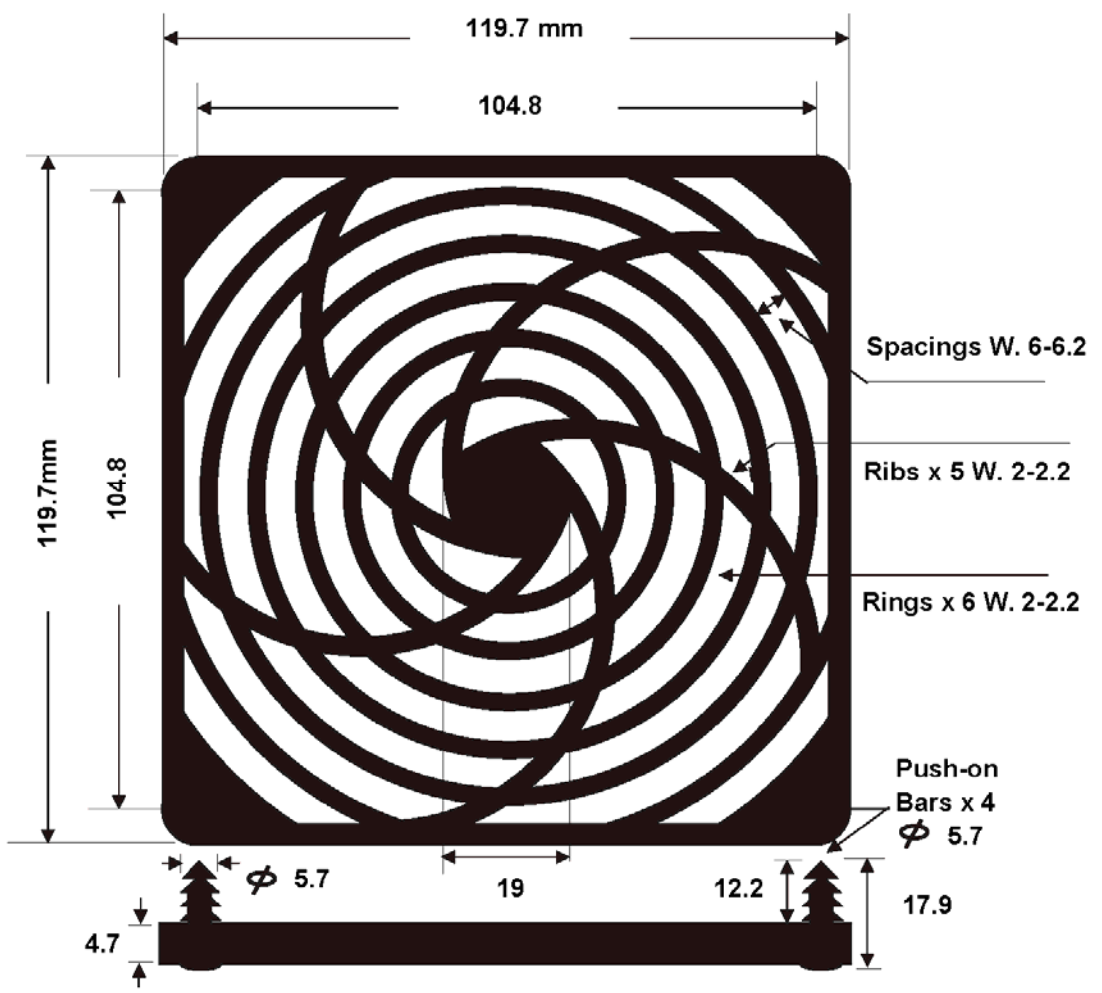
Electronic Associates (Taiwan) Ltd.

Part Number: EPG-120P

Description: Plastic Guard for 120 mm Fan.



Revision			
Rev.	Description	Date	Approved
A		2014/12/2	



Specifications

Hole to Hole	104.8	mm
Outer Ring Dia.	119.7	
Ring Width	2 ~ 2.2	
Ribs x 5 Width	2 ~ 2.2	
Push-on Bars	5.7	
Spacing Width	6 ~ 6.2	
Height	4.7	
Staging Rings	6	Rings

Material:

Reinforced Thermoplastic Nylon UL94HB

Color:

Standard Black
Other Colors are available but MOQ required

Electronic Associates (Taiwan) Ltd.

Part Number: EPG-120P2

Description: Plastic Guard for 120 mm Fan.

Revision			
Rev.	Description	Date	Approved
A		2014/12/2	

Specifications

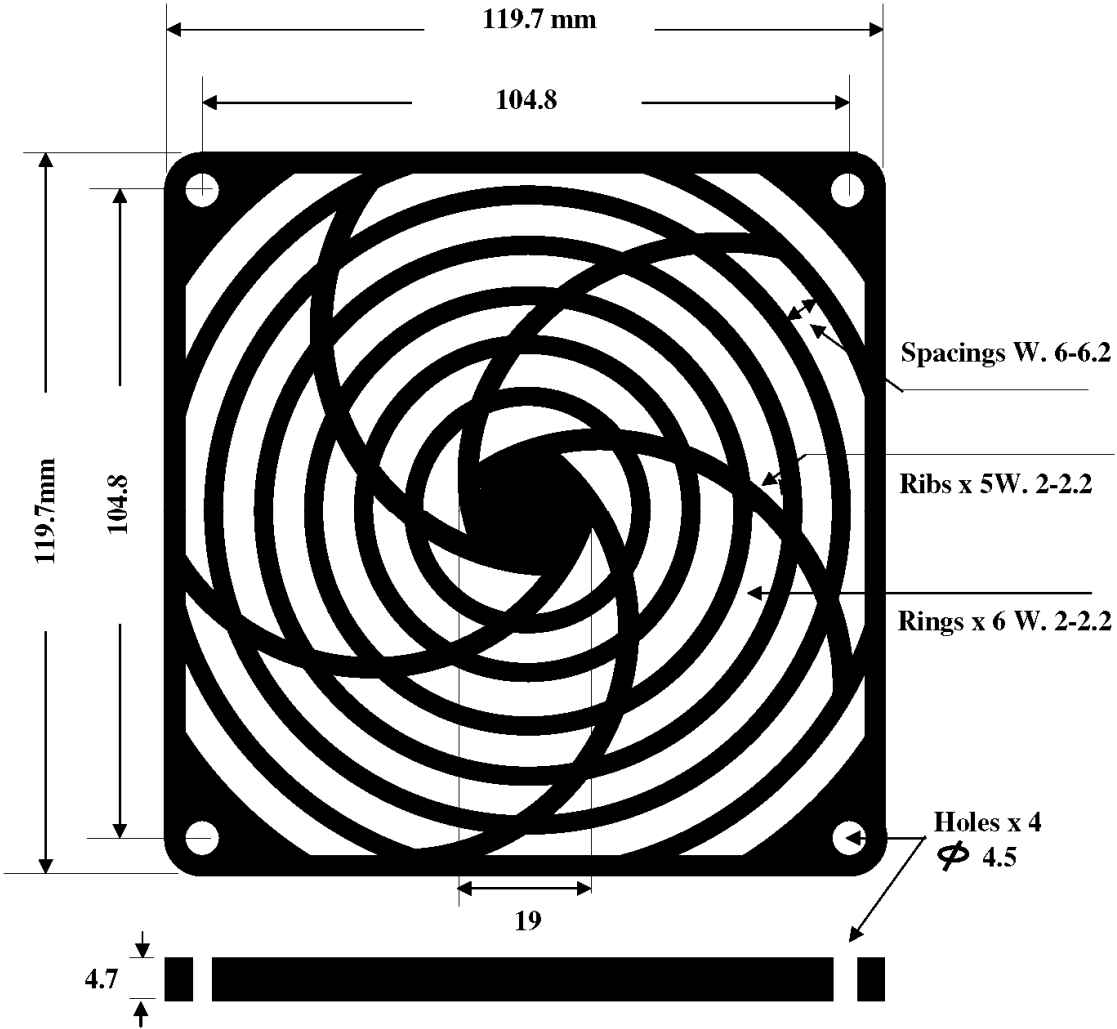
Hole to Hole	104.8	mm
Outer Ring Dia.	119.7	
Ring Width	2 ~ 2.2	
Ribs x 5 Width	2 ~ 2.2	
Hole Dia.	4.5	
Spacing Width	6 ~ 6.2	
Height	4.7	
Staging Rings	6	Rings

Material:

Thermoplastic glass fiber reinforced
ABS, UL94-V0

Color:

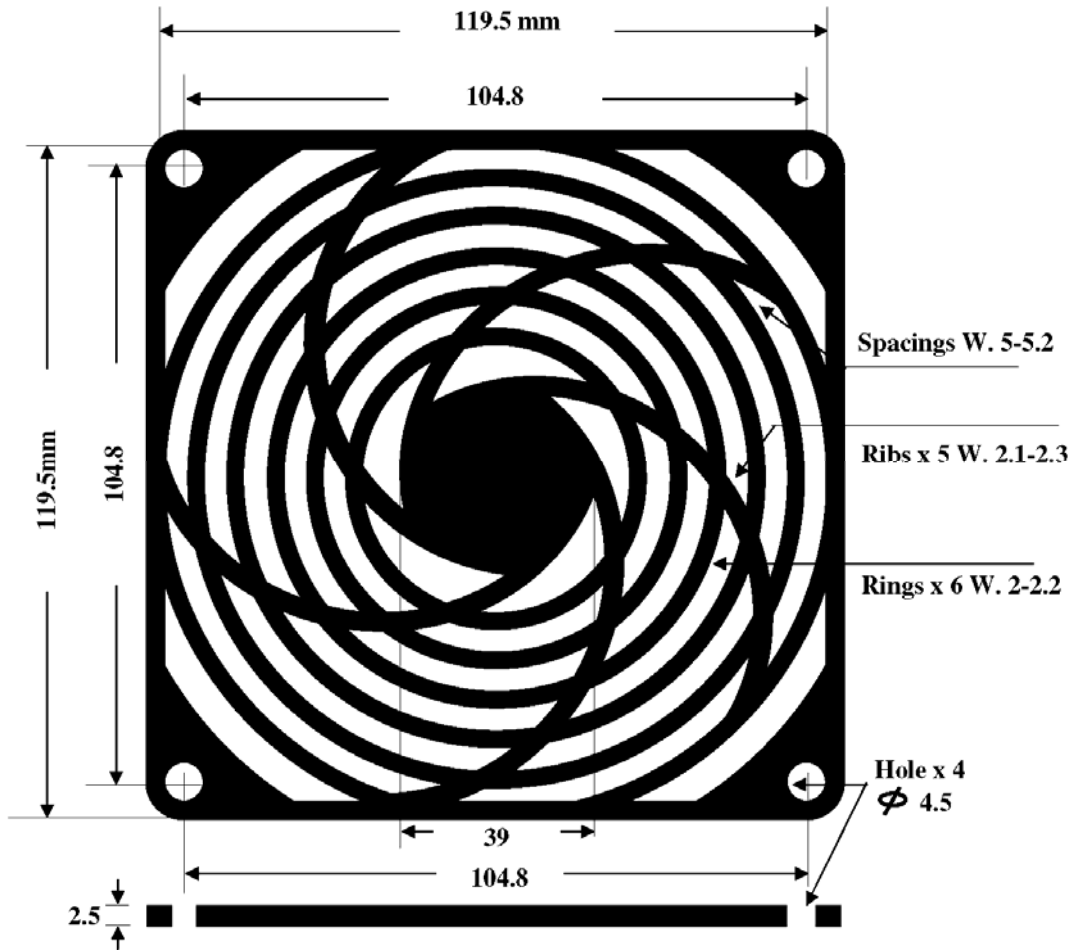
Standard Black
Other Colors are available but MOQ required



Electronic Associates (Taiwan) Ltd.

Part Number: EPG-120P4

Description: Plastic Guard for 120 mm Fan.



Revision			
Rev.	Description	Date	Approved
A		2014/12/2	

Specifications

Hole to Hole	104.8	mm
Outer Ring Dia.	119.5	
Ring Width	2 ~ 2.2	
Ribs x 5 Width	2.1 ~ 2.3	
Hole Dia.	4.5	
Spacing Width	5 ~ 5.2	
Height	2.5	
Staging Rings	6	Rings

Material:

Reinforced ABS, UL94-V0

Color:

Standard Black

Other Colors are available but MOQ required

Electronic Associates (Taiwan) Ltd.

Part Number: EPG-120P25F

Description: Plastic Guard for 120 mm Fan.