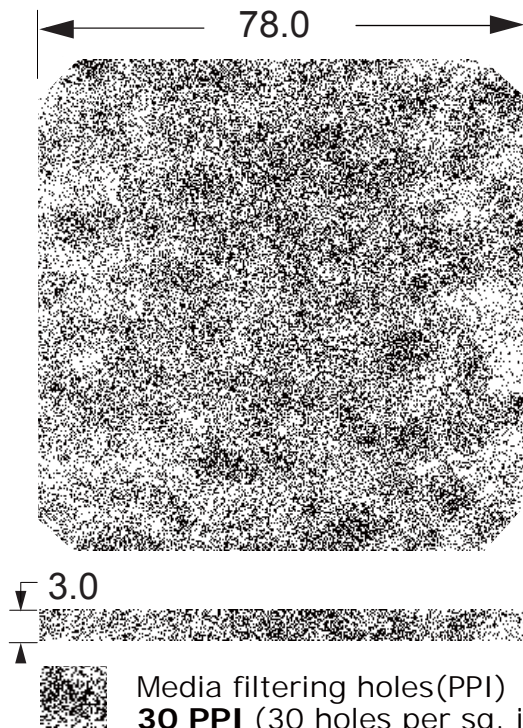


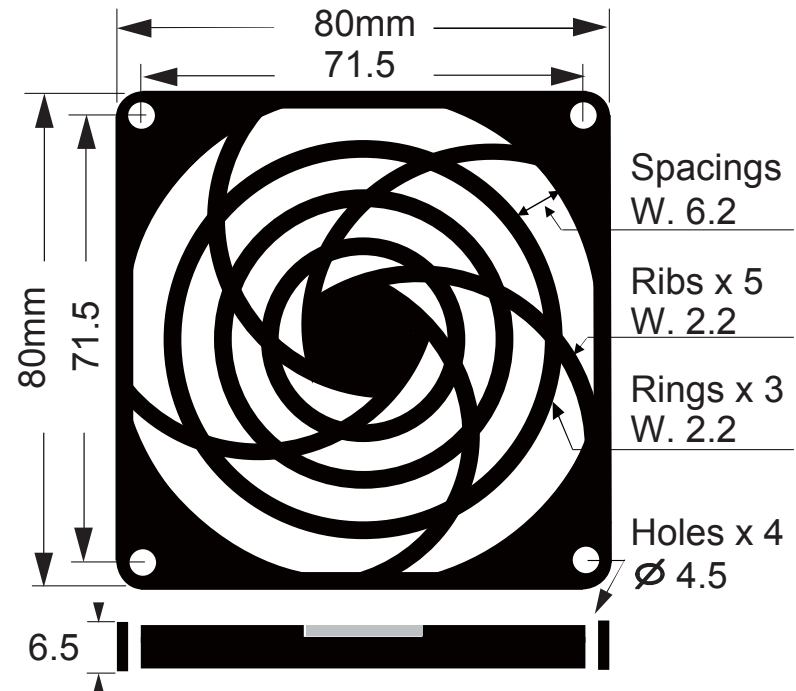
Retainer "R" / R80P



Media "M" / M80-30



Guard "G" / G80P



**Specification / Material:**

- General tolerance unless noted is  $\pm 0.3\text{mm}$
- Plastic guard "G" & Retainer "R" made of plastic ABS764 glass reinforced flammability rated UL94V-0  
Media "M" is made of PU foam
- Color: black / Filtering holes: 30PPI / Weight: 17.0Gm

**Model No:**

**EPF80-30**

( Plastic Fan Filter Kits For 80mm (3.15") Fans )