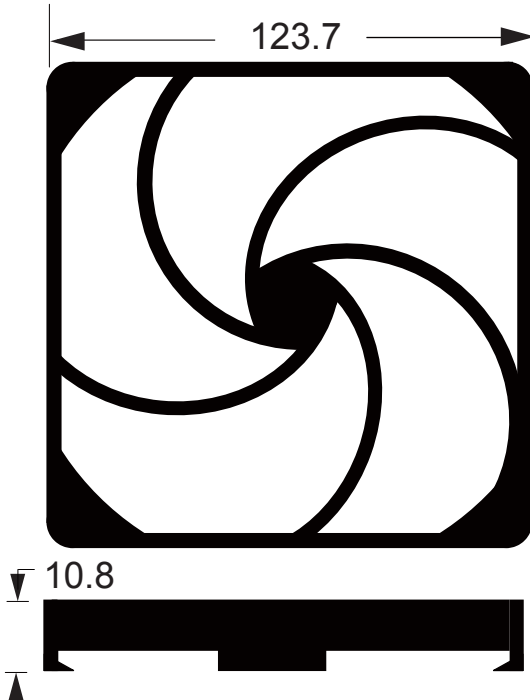
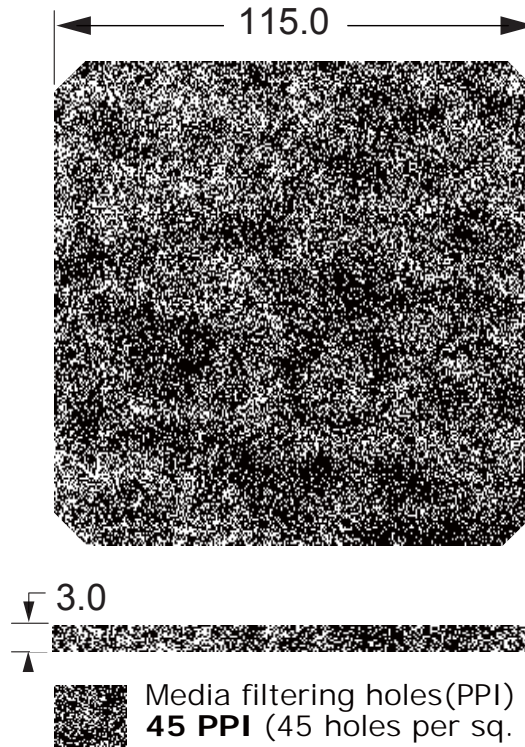


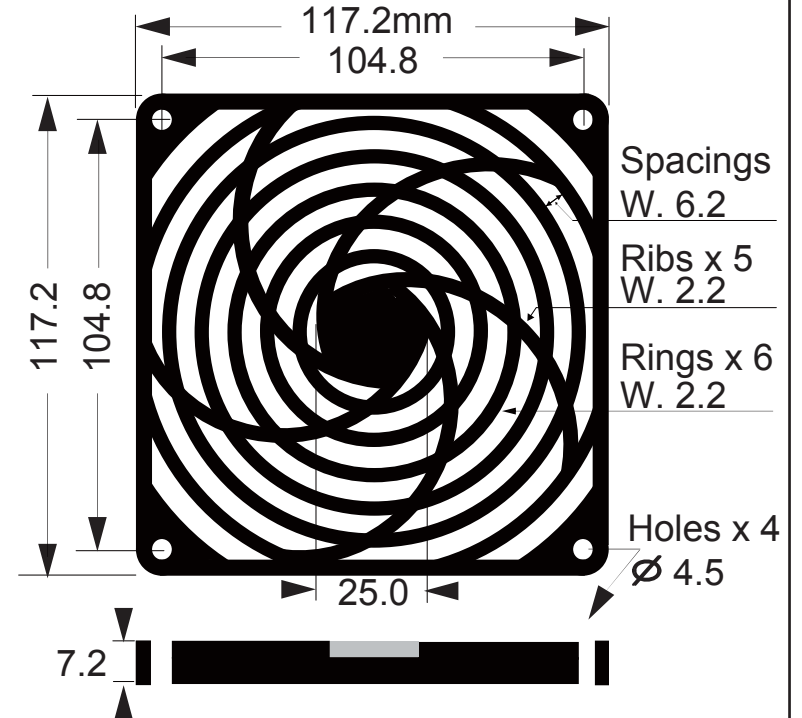
Retainer "R" / R120P



Media "M" / M120-45



Guard "G" / G120P



Specification / Material

- General tolerance unless noted is $\pm 0.3\text{mm}$
- Plastic guard "G" & Retainer "R" made of plastic ABS764 glass reinforced flammability rated UL94V-0
Media "M" is made of PU foam
- Color: black / Filtering holes: 45PPI / Weight: 48.5Gm

Model No:

EPF120-45

(Plastic Fan Filter Kits For 120mm (4.7") Fans)