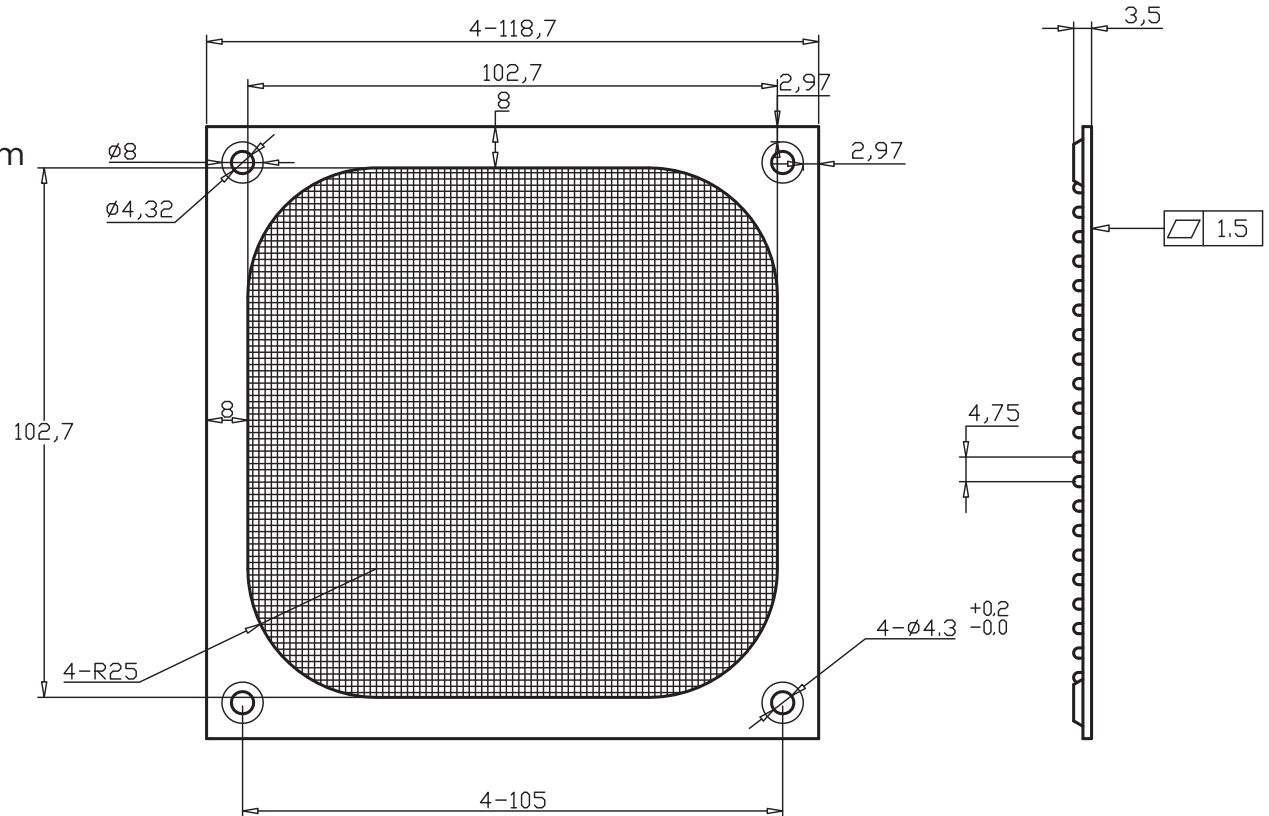


Specifications:

1. General tolerance unless noted is $\pm 0.3\text{mm}$
2. Hole to Hole: 105mm
3. Holes dia.: 4.3mm
4. Outer frame width: 118.7mm
5. Height: 3.5mm

Material:

- Frame: Aluminum
- Screen: Stainless steel wire, tightly woven corrugated
Mesh 30x30 holes
- Color: Natural
- Weight: 24.1Gm
- Comply with the limits as set by RoHS



Model No:

EMF120S-30N

(Metal Fan Screen For 120mm (4.7") Fans)